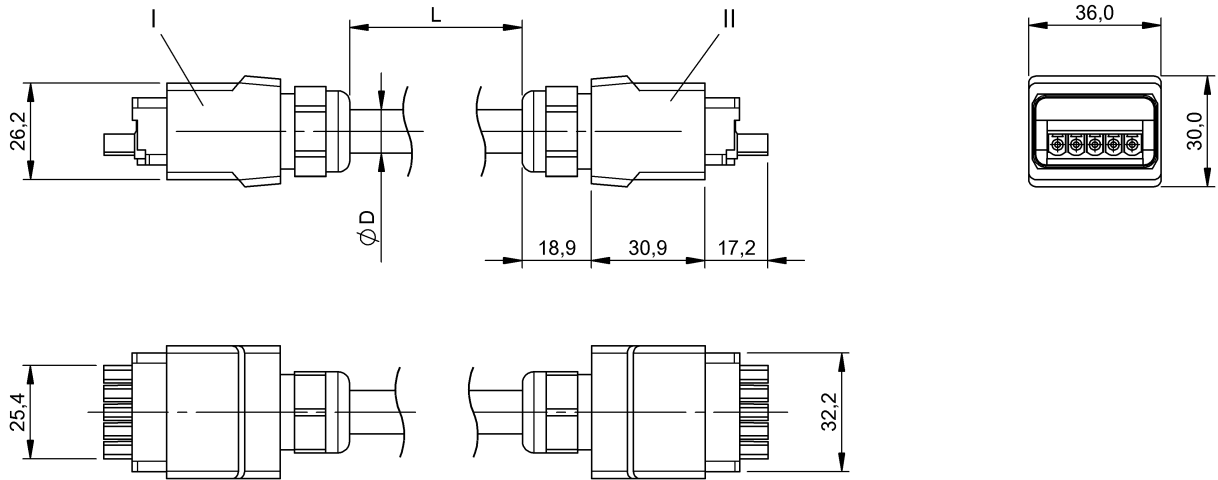


Double-Ended Cordsets
BCC HB75-HB75-NA-370-VX85B5-020
Order Code: BCC0F4N

BALLUFF



Basic features

Approval/Conformity	CE WEEE
----------------------------	------------

Electrical connection

Bending radius min., fixed cable	5 x D
Bending radius min., flexible cable	15 x D
Cable	PVC gray, 2 m
Cable diameter D	11.80 mm
Conductor cross-section	2.5 mm ²
Connection 1	Push-Pull power-Female, straight, 5-pin
Connection 2	Push-Pull power-Female, straight, 5-pin
Number of conductors	5
System	assembled/assembled

Electrical data

Operating voltage U_b	24 VDC
Rated current (40 °C)	16.0 A

Environmental conditions

Cable temperature, fixed routing	-40...70 °C
Cable temperature, flexible routing	-5...70 °C
IP rating	IP67/IP67

Material

Cable jacket, material	PVC
Material contact carrier	PA/PA
Material contacts	Copper alloy/Copper alloy
Material grip	Zinc/Zinc

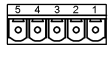
Mechanical data

Cable jacket, color	gray
Cable length L	2.00 m

Remarks

AIDA conformal
 Enclosure rating per IEC 60529, only in screwed state with the associated mating piece.

Connector Drawings



I, II

Wiring Diagrams

